



POLICON
Engineering & Manufacturing

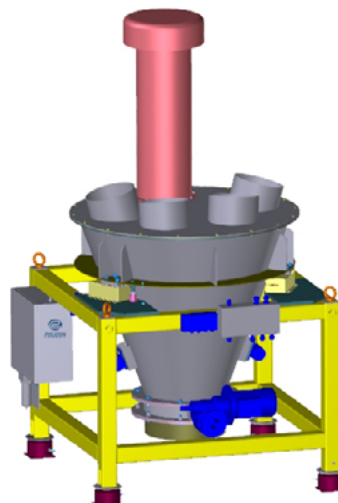
***Tensometric hopper
weigher for carbon black
(Model VTK-80)***

Acceptance and weighing of carbon black in the preparatory production of tire, cable, asbestos factories and rubber products factories.

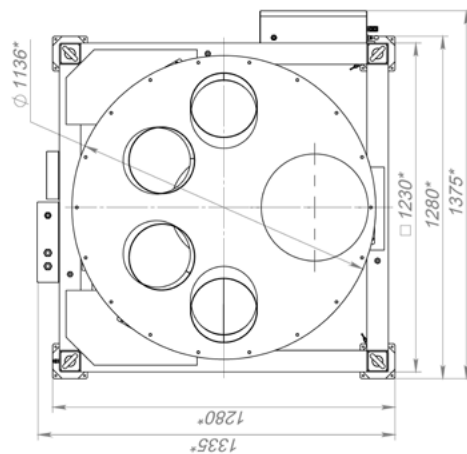
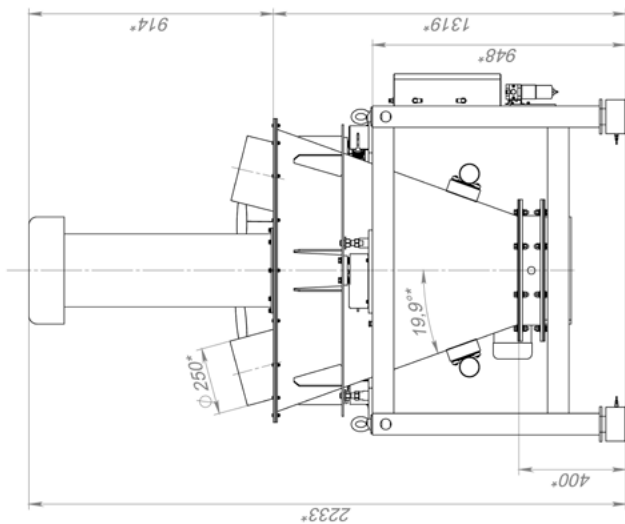
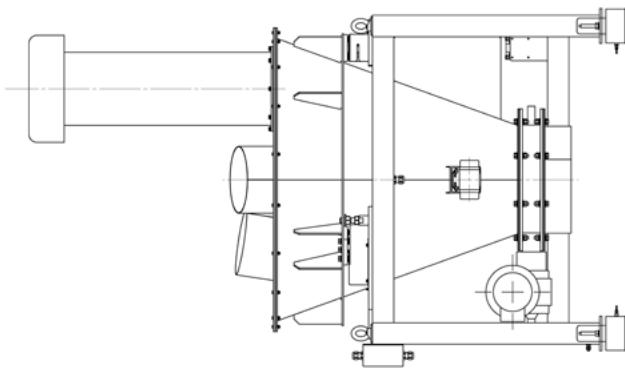


Features:

- high accuracy of weighing
- stainless steel cargo receiving device
- hardware elimination of vibrations of the load receiving device.



Tensometric hopper weigher for carbon black (Model VTK-80)



Technical Specification:

Type of weigher	stationary, hopper weigher
Maximum weighing limit, kg	80
Accuracy class	0,25 of the upper limit of weighing
Number of weight sensors.....	3
Type of filter	with pneumatic cleaning
Type of vibrator	electric (pneumatic)
Unloading device.....	butterfly valve
Compressed air pressure in the pneumatic system, MPa	0,4 – 0,6
Operating temperature range, ° C.....	- 10 ... + 50
Power Management:	
current	constant
voltage, V	24
Power supply:	
voltage, V	220/380
frequency Hz	50
Overall dimensions, mm, no more	
length	1 375
width	1 375
height	1 320
Weight, kg, no more	420

This product can be manufactured according to the technical specifications of the customer, taking into account its predetermined parameters and features.

Full cycle engineering services

Food Machinery

Machinery for tires, rubber, plastics manufacturing

Machinery for the chemical and oil and gas industry

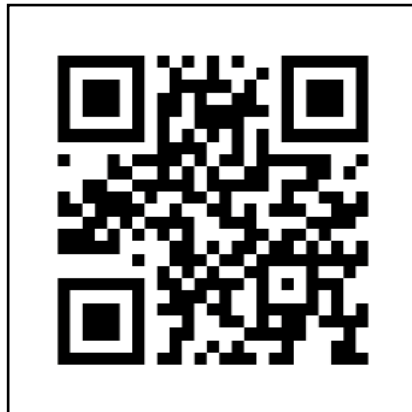
Machinery for the perfumery and cosmetic industry

Modernization and automation of production

Non-standart equipment

Production of spare parts, components, assemblies

Outsourcing services - repair and maintenance of equipment



Policon JSCo

194 Lermontov Str, Omsk 644009, Russia

Tel./Fax: +7 (3812) 36 74 12, 36 74 02, 48 48 30

e-mail: info@policon-rt.ru

www.policon-rt.ru